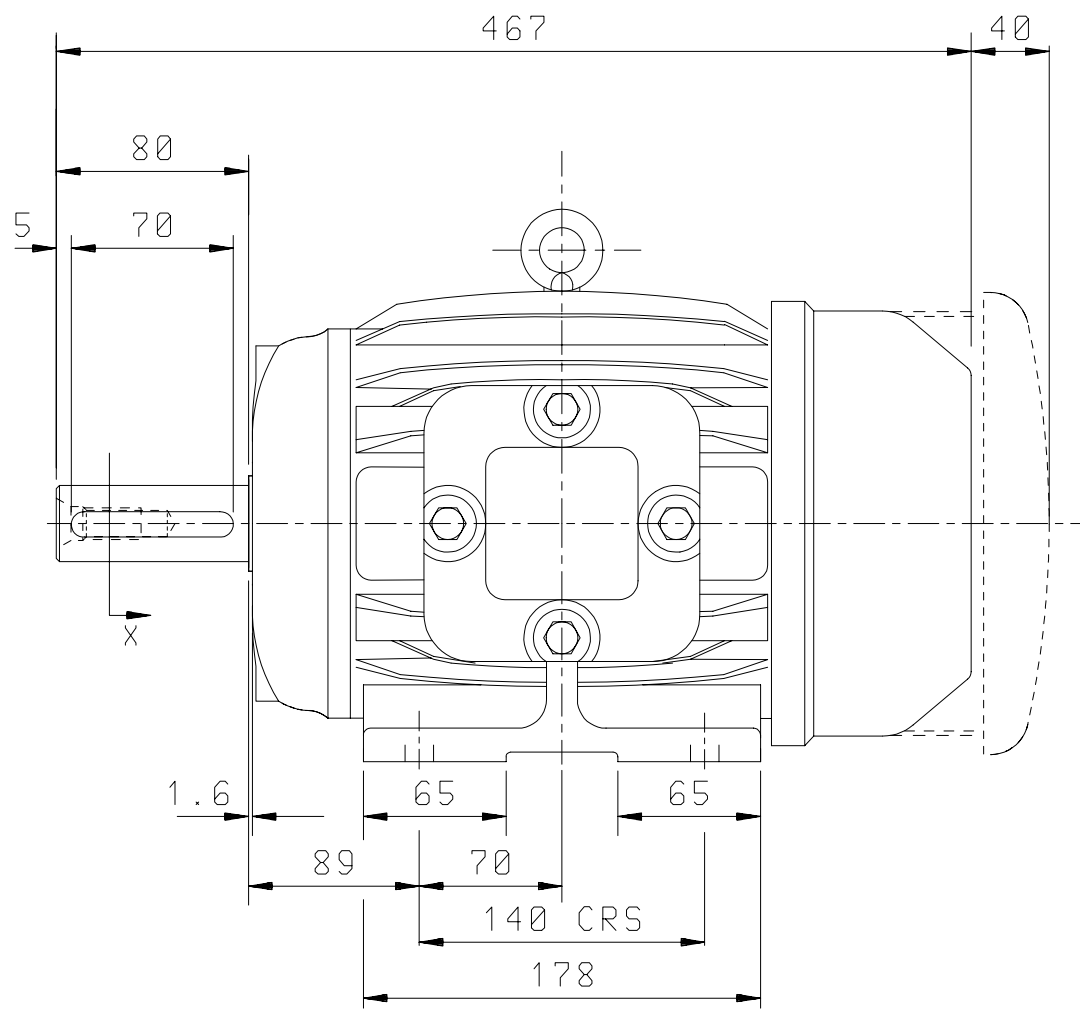


SHAFT TAPPED M12  
 BY 28 DEEP  
 TO DIN 332 FORM 'D'

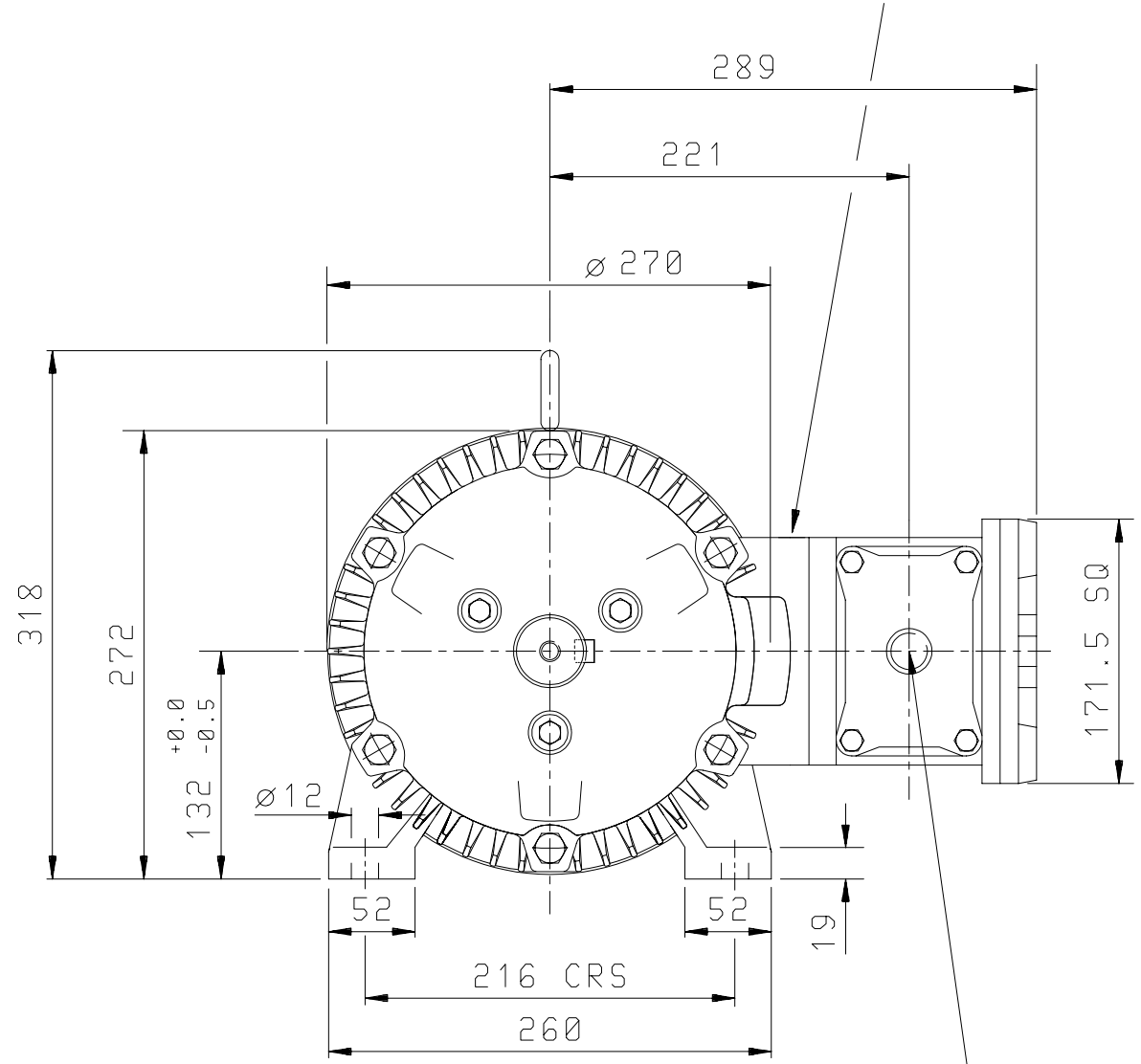
SECTION ON 'X'

CABLE ENTRY POSITION SHOWN IS FOR ILLUSTRATION ONLY, TERMINAL BOX CAN BE ROTATED THROUGH 90° INTERVALS.

DRIP-PROOF COWL FITTED ON ALL VERTICAL SHAFT DOWN MOTORS & ALL MOTORS WITH CAST IRON FAN COVERS, OR WHEN REQUESTED.

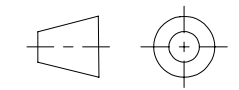


EXTERNAL EARTH POSITION



1 - CONDUIT ENTRY TAPPED M25 TO SUIT COMPRESSION GLAND

ALL DIMENSIONS IN MILLIMETRES



FIRST ANGLE PROJECTION

**BROOK CROMPTON**

Huddersfield, HD1 3LJ  
 ENGLAND

SHEET SIZE  
**A3**

TITLE  
 OUTLINE DIMENSION DRAWING 'W' FLAMEPROOF TOTALLY ENCLOSED FAN COOLED EEXD 132S FRAME FOOT MOUNTED MOTOR GROUPS IIA & IIB

	NAME	DATE
DRAWN	ULS	26-03-03
CHECKED	RR	26-03-03
SCALE	N.T.S	

DRG. No.	K13GF001/0		
DRG. REF.			
REVISION:		DATE	